

**PATROL RIFLE<sup>®</sup>**  
**INTEGRATED MAG POUCH**  
*BELT MOUNTED OR MOLLE*



centermassinc.com

800-794-1216

33825 Plymouth Rd. Livonia, MI 48150

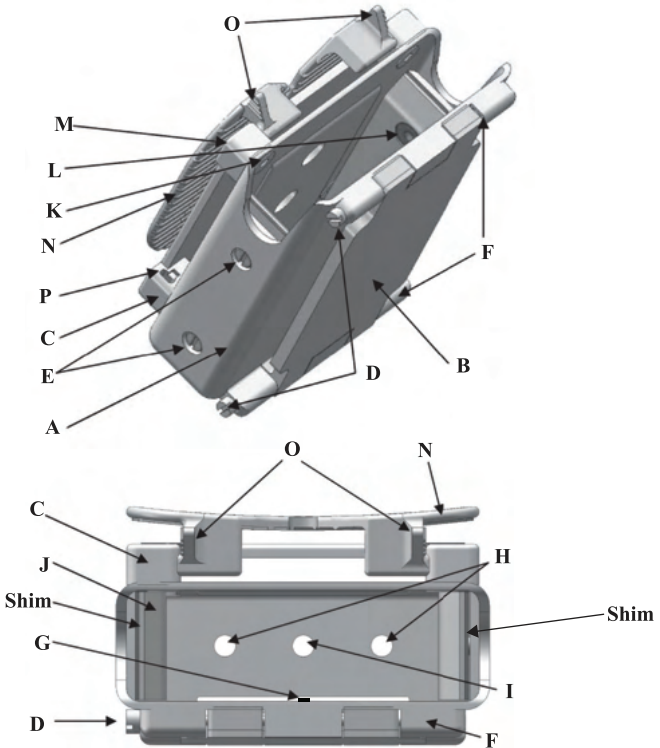


Utility Patents  
8,231,033 / 8,733,606 B2  
Design Patent No. D624149

Rev. 10/23

# MAJOR COMPONENTS & NOMENCLATURE

<u>Item</u>	<u>Qty</u>	<u>DESCRIPTION</u>
A	1	Body
B	1	Fastening Clip
C	1	Belt Plate
D	2	Hinge Pins
E	4	Screws for Rubber Bumpers
F	2	Hex Nuts (CAUTION: Very small)
G	2	Set Screws
H	2	Snap Hole (For future applications)
I	1	Drain Hole
J	2	Rubber Bumper
K	4	T-Nuts for Belt Plate
L	4	T-Nuts for Rubber Bumpers
M	4	Screws for Belt Plate
N	1	Belt Paddle (Optional)
O	1 each side	Finger Depressors for Optional Belt Paddle
P	8	Detent Cavity for Optional Belt Paddle



# PATROL RIFLE® INTEGRATED MAG POUCH

## INSTRUCTIONS AND PRODUCT INFORMATION

Read all Instructions & Product Information before using this product.

### GENERAL INFORMATION:

- **SIZE:** 4.25" Tall X 3.375" Wide X 1" Thick (Body). **WEIGHT:** 6.2 oz
- Constructed of durable polymer material that is operational under extreme environmental conditions.
- All parts are replaceable and come with a 1 year limited warranty against defects in materials and craftsmanship.
- **MADE IN THE USA**



### FEATURES:

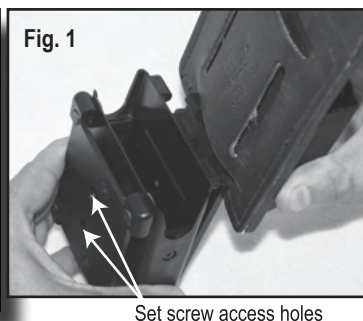
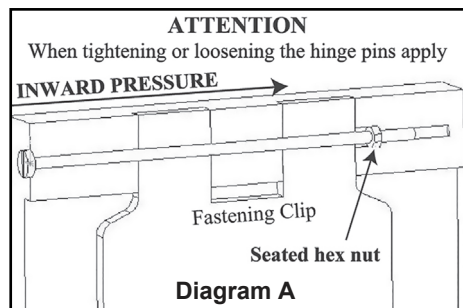
- Specifically designed for use with 20 or 30 rnd AR15/M16 MILSPEC magazines
- Fits virtually all 2.25" wide gun belts.
- Can be mounted vertically or horizontally on the gun belt.
- Conforms to most uniformity requirements.
- Open top design provides quick access to rifle magazine.
- Adjustable magazine retention



## ATTACHING AN ACCESSORY TO YOUR PATROL RIFLE® INTEGRATED MAGAZINE POUCH (I.M.P.)

The I.M.P. allows for the attachment and integration of accessories that normally would be put directly onto a standard gun belt. Examples include a pistol magazine pouch, handcuff case, ECD holster, TQ case, or other belt worn accessories.

1. Remove the top hinge pin on the I.M.P. to unlock and release the accessory FASTENING CLIP. You may also remove the lower hinge pin for ease of installation of the accessory.
  - a. Each pin is secured by a small removable hex nut. **(Diagram A)**
  - b. **NOTE: THE HEX NUTS ARE SMALL & EASY TO LOSE. BE CAREFUL!**
2. Slide the belt loop attachment points of your accessory onto the FASTENING CLIP **(Fig. 1)** or you can bolt the accessory to the FASTENING CLIP. **(Fig. 2 & 3)**
  - a. Your accessory may be mounted vertically or horizontally.
  - b. Carefully replace the hex nuts at the **BOTTOM OF THEIR SOCKETS.**
  - c. Keep the I.M.P. turned up on its side so **GRAVITY** holds the hex nuts at the bottom of their respective sockets.
3. Install the FASTENING CLIP to the body of the I.M.P. with the HINGE PINS. **(Fig. 4)**
  - a. Tightening or loosening the hinge pins requires constant **INWARD PRESSURE** to prevent the hex nut from pulling out of its seated position. **See Diagram A below.** Failure to do this may cause the nut to pull out of its socket and spin freely.
  - b. Do not over tighten the hinge pins. Simply snug them up so the bottom of the head is touching the receptor hole on the face of the I.M.P.
4. To reduce any shifting or movement of your attached accessory there are two allen head set screws located on the front face of the I.M.P. body. Tighten these screws to secure the accessory against the back of the fastening clip to keep it from sliding. **(Fig. 1)**
  - a. Access the set screws through the two access holes on the backside of the body and belt clip of the I.M.P.. **(Fig. 1)**
  - b. To avoid marring your magazine ensure the set screws are flush with the inside wall of the I.M.P. so they do not contact the magazine as it is inserted or extracted.



### ATTACHMENT TO THE GUN BELT:

Slide your gun belt through the BELT CLIP attachment points on the rear of your I.M.P.. **(Fig. 5)** Position the I.M.P. on the gun belt where you would normally wear the accessory that is now attached to the I.M.P.. **(Fig. 2 & 3)**

1. The I.M.P. works best with a stiff gun belt that has little or no flexibility. These belts prevent the I.M.P. and the weight of its attached accessory from flopping outward during movement and do not require the use of the I.M.P.'s optional "Paddle" attachment.

Fig. 2



Fig. 5



2. Flexible or soft gun belt users will most likely need to use the I.M.P.'s optional "Paddle" attachment. (See Major Components & Nomenclature, Item "O")
3. It is recommended that the user employ commonly used "BELT KEEPERS" (not provided) on both sides of the I.M.P. to help stabilize the unit and reduce movement.



Fig. 4



## MAGAZINE RETENTION ADJUSTMENT SHIMS

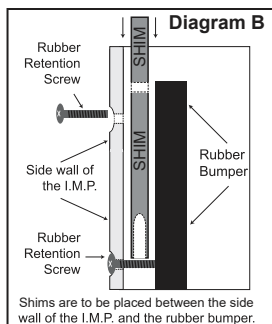
Magazine retention is set by the user to correspond with their individual tension preference for the type of magazine that they are going to use on the street.

Your I.M.P. comes standard with three thin polymer shims that allow you to customize the magazine tension. These shim can be used on one or both sides of the I.M.P. as you see fit.

Shims are to be placed between the side wall of the I.M.P. and the rubber bumper. They are held in place by the rubber retention screws located on each side wall of your I.M.P.. (See Diagram B)

## ADDING OR REMOVING A SHIM:

1. Remove the top rubber screw on one side of the I.M.P. and loosen the bottom screw. **(Fig. 4)**
  - a. Add a shim to increase magazine tension.
  - b. Remove a shim to decrease tension.
2. Snug rubber bumper screws back down.  
**(DO NOT OVERTIGHTEN THESE SCREWS!)**
3. Test retention with a loaded magazine.
4. Repeat this process until the desired tension is achieved.



## ACCESSORIES (SOLD SEPARATELY)

1. **Extension Pack:** Enables the I.M.P. to be used with thick gun belts that fold over upon themselves.
2. **Belt Paddle:** This device keeps the weight of the I.M.P. and its attached accessory from bending outward away from your body. (Not needed for stiff gun belts)
3. **Modified Fastening Clips:** Compatible with belt-mounted products made by the following manufacturers:



#1 - Safariland



#2 - Blackhawk



#3 - North American Rescue & Bladetech

4. **I.M.P. and a PMAG Combo:** Comes with a 20 rnd. Magpul PMAG. The following insignia can be lasered on your PMAG. Tactical Patrol Officer insignia, SWAT Operator insignia, 1\* insignia, or your custom logo.

**See Miscellaneous Instructions & Warnings on All Products, Disclaimer, and Limited Warranty information on Pages 15-16.**



# MOLLE PATROL RIFLE® INTEGRATED MAG POUCH

## INSTRUCTIONS AND PRODUCT INFORMATION

Read all Instructions & Product Information before using this product.

### General Information:

CMI's MOLLE-compatible Patrol Rifle® Integrated Magazine Pouch (M-I.M.P) (Fig. 6) is suitable for use with externally-worn body armor MOLLE vests. This innovation came about by modifying two parts (the Fastening Clip and the Belt Plate) from our original belt-mounted Patrol Rifle® Integrated Magazine Pouch, allowing it to be mounted on MOLLE backward from the original duty belt-worn configuration.



Fig. 6 - MOLLE Patrol Rifle® Integrated Magazine Pouch showing the Modified Belt Plate with fit & finished look



Fig. 7 - Rear view showing the MOLLE Mounting Clip

### Mounting the M-I.M.P to an external body armor MOLLE vest

1. Remove the bottom Hinge Pin on the I.M.P. to unlock and release the MOLLE Mounting Clip (Fig. 7). In general, only one side (the bottom) is released in order to mount the M-I.M.P. If needed, you may also remove the top Hinge Pin for ease of installation.
  - a. Each Hinge Pin is secured by a small removable silver Hex Nut that has been staked in place. **NOTE: THE HEX NUTS ARE SMALL AND EASY TO LOSE IF YOU PULL THEM OUT. BE CAREFUL!**
2. Slide both legs of the MOLLE Mounting Clip through 2 rows of MOLLE webbing on the vest. (Fig. 8)
3. Close and secure the MOLLE Mounting Clip to the Body of the M-I.M.P. with the Hinge Pin(s). (Fig. 9)
  - a. Tightening or loosening the Hinge Pins requires constant INWARD PRESSURE to prevent the Hex Nut from pulling out of its seated position. **See Diagram A on Page 4 above.** Failure to do this may cause the Hex Nut to pull out of its socket and spin freely.
  - b. Do not overtighten the Hinge Pins. Simply snug them up so the bottom of the head is touching the receptor hole on the face of the M-I.M.P. Body.

To adjust the tension on a magazine, see directions for Magazine Retention Adjustment Shims. Adding or Removing a Shim (above).



Fig. 8 - Bottom Hinge Pin removed



Fig. 9 - Bottom Hinge Pin in place

## Belt Plate Options

Fit and finished appearance with no accessories attached

For an unmatched professional fit and finished look, use the new Modified Belt Plate (**Fig. 7**). It comes standard or can be purchased separately enabling you to convert your current belt-worn I.M.P. for use on MOLLE.

See Conversion Instructions for more detailed information.

1. Unscrew any existing Belt Plate from the M-I.M.P..
2. Attach the Modified Belt Plate to the I.M.P. with the 4 Screws. Do not over tighten the screws into the plastic; just snug them up. Also, ensure that the T-Nuts are oriented parallel (6 and 12:00) and fitted into the polymer slots to prevent spinning inside the M-I.M.P. which will cause marring of magazines when the M-I.M.P. is in use.

To mount a complete M-I.M.P. on a vest, see directions above for Mounting the MOLLE I.M.P. to an external body armor MOLLE vest.

As an option, CMI can custom engrave the Modified Belt Plate with a badge, patch, or other design of your choice. (**Fig. 10**)

### Modified Belt Plate with with hole pattern options

The Modified Belt Plate has three different hole pattern options for easy attachment of popular manufactures' accessories (examples: TQ case, ECD holster, pistol magazine pouch, handcuff case, etc.). Each pattern is available as a complete MOLLE-ready unit or separately enabling you to convert your current belt-mounted I.M.P. (2018 or newer only) for use on MOLLE.

The hole pattern options are: #1 Safariland, #2 Blackhawk, or #3 North American Rescue & BladeTech. (**Fig. 11**)



Fig. 10 - Modified Belt Plate with custom laser engraving



#1 - Safariland



#2 - Blackhawk



#3 - North American Rescue & Bladetech

Fig. 11 - Modified Belt Plate w/ hole patterns for accessory attachment



Fig. 12 - Modified Belt Plate w/ TQ accessory attached



## Bolting an accessory to the M-I.M.P

Determine which Modified Belt Plate with the hole pattern corresponds to your accessory's manufacturer. **(Fig. 11)** Each hole patterned Modified Belt Plate is available as a complete MOLLE-ready I.M.P. unit or separately enabling you to convert your current belt-mounted I.M.P. (2018 or newer only) for use on MOLLE.

1. Unscrew any existing Belt Plate from the M-I.M.P.
2. Install the accessory onto the Modified Belt Plate.
3. Attach the accessory-mounted Modified Belt Plate to the M-I.M.P. with the 4 Screws. **(Fig. 12)** Do not over tighten the screws into the plastic; just snug them up. Also, ensure that the T-Nuts are oriented parallel (6 and 12:00) and fitted into the polymer slots to prevent spinning inside the M-I.M.P. which will cause marring of magazines when the M-I.M.P. is in use.
4. The accessory is now installed and the M-I.M.P. is ready to be mounted. See directions above for Mounting the MOLLE I.M.P. to an external body armor MOLLE vest.

*Method 2 – For attaching MOLLE accessories **(Fig. 13)**, use the belt-mounted I.M.P.'s original Belt Plate. **(Fig. 14)***

1. Unscrew any existing Belt Plate from the I.M.P..
2. First, attach the MOLLE accessory either vertically or horizontally to the original Belt Plate. **(Fig. 14)**
3. Then screw on the accessory-mounted original Belt Plate to the M-I.M.P. with the 4 Screws. **(Fig. 13)** Do not over tighten the screws into the plastic; just snug them up. Also, ensure that the T-Nuts are oriented parallel (6 and 12:00) and fitted into the polymer slots to prevent spinning inside the M-I.M.P. which will cause marring of magazines when the M-I.M.P. is in use.
4. The accessory is now installed and the M-I.M.P. is ready to be mounted. See directions above for Mounting the M-I.M.P. to an external body armor MOLLE vest.



**Fig. 13 - MOLLE accessory (double mag pouch) installed using standard belt plate**



**Fig. 14 - Standard Belt Plate**

## **Conversion of a belt-mounted I.M.P. to a MOLLE configuration**

The MOLLE Mounting Clip **(Fig. 6)** and the Modified Belt Plate **(Fig. 7)** are both required to convert your current I.M.P. for use on MOLLE. They can be purchased separately.

Step 1: Replace the standard Belt Plate **(Fig. 14)** with the new Modified Belt Plate.

1. Unscrew the existing Belt Plate from the M-I.M.P..
2. Attach the new Modified Belt Plate on the M-I.M.P. with the 4 Screws. Do not over tighten the Screws into the plastic; just snug them up. Also ensure that the T-Nuts are parallel with the Rubber Bumpers in order to prevent marring of magazines when the M-I.M.P. is in use.

Step 2: Replace the standard Fastening Clip with the new MOLLE Mounting Clip.

1. Remove both Hinge Pins (top and bottom) on the I.M.P. to unlock and release the standard Fastening Clip.
  - a. Each Hinge Pin is secured by a small removable silver Hex Nut. **NOTE: THE HEX NUTS ARE SMALL AND EASY TO LOSE IF YOU PULL THEM OUT. BE CAREFUL!**
2. The I.M.P. is now in a MOLLE configuration and ready to be mounted. See directions above for Mounting the M-I.M.P to an external body armor MOLLE vest.

### Replacement Parts (Sold Separately)

Replacement parts are available for the I.M.P., both MOLLE and belt-mounted versions. See on our website at [www.centermassinc.com](http://www.centermassinc.com) for more info. **DO NOT USE** off the shelf items as replacement parts.

### Accessories (Sold Separately)

1. **M-I.M.P. and a PMAG Combo:** Comes with a 20 rnd. Magpul PMAG in your choice of blank or laser engraved.
2. **Custom engraving for the Modified Belt Plate:** As an option, CMI can custom engrave the Modified Belt Plate with a badge, patch, or other design of your choice.
3. **Patrol Rifle® Holster:** Equip your M-IMP with a Patrol Rifle® Holster (Fig. 15). For use and benefits, see the following General Information section for the Patrol Rifle® Holster below. Custom engraving is also available for the Patrol Rifle® Holster. (Fig. 16)



Fig. 15 - Patrol Rifle® Holster configuration



Fig. 16 - Custom engraved Modified Belt Plate w/ Patrol Rifle® Holster configuration

See Miscellaneous Instructions & Warnings on All Products, Disclaimer, and Limited Warranty information on Pages 15-16.

# PATROL RIFLE<sup>®</sup> HOLSTER

PATENT PENDING

## INSTRUCTIONS AND PRODUCT INFORMATION

Read all Instructions & Product Information before using this product.

### General Information:

The patent pending Patrol Rifle<sup>®</sup> Holster (PRH) (Fig. 17A & 17B) is designed for use by LEO's and other users in passive environments. The concept is to give LEO's a means to holster the rifle, so their hands are free for other tasks while they maintain positive control of the rifle, (Fig. 20) just like they do with a holstered pistol. The PRH gives officers an option to holster their rifle (Fig. 19 & 20) (when appropriate) at the conclusion of violent incidents, while working static posts, while working crowded special events, and even in the training environment. The PRH makes carrying a rifle much more comfortable while putting citizens at ease (Fig. 21) and helps improve officer and citizen safety. Other applications may include recreational shooters, rifle-armed security officers and military personnel.

One of the primary benefits of the PRH is that some of the rifle's weight is dissipated from the officer's shoulder/neck and shifted onto the Patrol Rifle<sup>®</sup> Holster. This makes the task of carrying a rifle for long periods of time much more comfortable for your officers. An added benefit is that your citizens may also appreciate holstered patrol rifles as your officers may not appear threatening to them when the rifle is stabilized (not twisting or dangling on a sling), pointing directly at the ground and the officer's hands are off the rifle. (Fig. 23) Yet, your officers will still possess the offensive capability they may need at a split-second's notice to protect themselves and your citizens.



Fig. 17A - Patrol Rifle<sup>®</sup> Holster front view



Fig. 17B - Patrol Rifle<sup>®</sup> Holster side view

### How It Works

The PRH, unlike many other products on the market, does not require anything to be added or attached to your patrol rifle. The PRH allows the user of **MILSPEC AR-15, M-4, or M-16** patrol rifles to hang the rifle by the bolt catch roll pin housing located on the left side of the lower receiver. Simply slide the top of your rifle's bolt catch lever into the PRH and then push it downward until it locks into place. Most of the rifle's weight is then rested upon the bolt catch roll pin housing. (Fig. 22) In addition, the magazine release housing guide snaps into the PRH, which helps prevent the rifle from twisting, keeping the muzzle pointed at the ground while



increasing everyone's safety. Once the magazine release housing snaps into the PRH, counter pressure is exerted and the magazine release button becomes very difficult to actuate while in a standing position, which helps prevent your officers from accidentally dropping a magazine at the conclusion of violent incidents, while working static posts for long periods of time, or while working crowded special events.

To draw the rifle, twist outward on the rifle's pistol grip while pulling it up sharply and out of the PRH. When violence surprises officers working in the passive environment (parades, festivals, special events) even first time PRH users can expect a draw and presentation speed that is about as fast as an average user of a slung patrol rifle (both hands either on, or off the rifle). If a faster draw stroke is needed due to the proximity of the violence, officers always have the option of drawing their handgun.

**IMPORTANT:** PRH can mar the finish of your rifle. Also, PRH will **NOT WORK** with BILLET manufactured lower receivers and may not work with some billet manufactured upper receivers. PRH will **NOT WORK** in conjunction with chamber blocking devices.

## Slings

The PRH is designed to be used with a quality **TWO-POINT SLING**. (Fig. 23) It is not intended for use without a sling or a one-point sling. CMI can help you with recommendations and procurement of quality slings that work well with the PRH.



Fig. 19 - Rifle is holstered while hands are free



Fig. 20- Side view of holstered patrol rifle



Fig. 21 - Comfortable carry with the PRH while putting citizens at ease

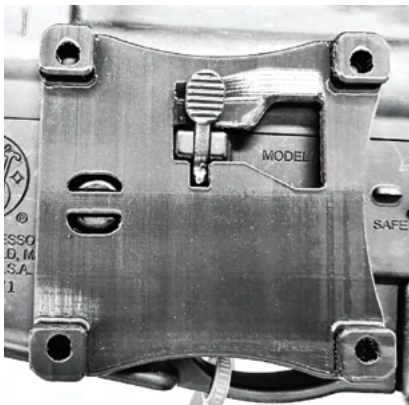


Fig. 22 - View of Patrol Rifle® Holster mounted on the MILSPEC rifle.



Fig. 23 - Patrol Rifle® Holster keeps the muzzle down & keeps the rifle from swinging.

## Body Armor Carrier Setup

User comfort will dictate where the PRH is placed on your MOLLE compatible externally worn body armor or plate carrier. That said, we have found that a front mount just off the gig line (right side for righties... left side for lefties) keeps the rifle sling in a comfortable position (not across your neck) and works best for the quickest draw stroke and for the holstering of the rifle. CMI can help you with recommendations and procurement of quality body armor and carriers that work well with the PRH.

**NOTE:** The PRH MUST be used in conjunction with body armor (vest or carrier). (Fig. 23) The rigidity provided by body armor helps keep the PRH from moving. Body armor used in conjunction with a properly adjusted two-point sling are key components in the proper use of PRH.

**WARNING:** PRH will attach to and work with MOLLE compatible gun belts. However, for law enforcement use it is not currently recommended for two reasons:

- The rifle barrel will bounce off your strong side leg as you move, and
- If you move the rifle to the strong side hip, it will impede access to your handgun.

## Ambidextrous

PRH is ambidextrous even though **MILSPEC** rifles have the bolt-catch on the left side of the rifle. Lefties using the PRH will draw and holster their patrol rifle with a right-handed grip and transition to a left-handed shooting position.

It is very important to set your rifle's sling up for left-handed use and that the PRH mounts just left of the gig line.

In addition, we have found that by staging the sling on the outboard side of the rifle's inserted magazine, helps the left-handed shooter in not getting entangled by their sling. See the video on our website ([centermassinc.com/molle-prh](http://centermassinc.com/molle-prh), FAQ video named "Is the PRH Ambidextrous?").

**NOTE:** PRH will **NOT WORK** with left-handed manufactured rifles, left-handed aftermarket magazine release products, or left-handed bolt catch levers.

## PRH Training & Safety

The PRH has created a whole new category of holster ware for LEOs, military, or security.

Any training, drills, and policy regarding the deployment of the PRH are dictated by your organization. Even though the PRH is a very simple product to use, we recommend your organization provide some level of training on its proper and safe use prior to the deployment of this product. All users, including recreational shooters, should follow these instructions.

- **Practice Repetitions.** With an unloaded patrol rifle, do as many draw stroke and reholster repetitions as it takes for you to feel comfortable before using a loaded patrol rifle with the PRH.
- **Mandatory Use Of The Patrol Rifle's Safety:** The fact that your rifle's trigger is exposed when using the PRH requires that your rifle **must be placed on "safe"** when using the PRH. Patrol rifles should always have their safety engaged unless the use of deadly force is imminent. Therefore, PRH users should have their patrol rifle's safety engaged whenever they are using the PRH. This includes the following:
  - Before the rifle is being holstered into the PRH,
  - While the rifle is being holstered into the PRH,
  - While the rifle is fully seated in the PRH, and
  - During the rifles draw stroke from the PRH and until the rifle is on target.
- **Rifle Retention:** Consider the use of joint lock control techniques for use with the PRH in conjunction with the rifle retention training that your agency is already providing. See the video on the website on frequently asked questions as we discuss and demonstrate some joint lock control techniques for your consideration.
- **Safety Benefit of PRH:** Once your MILSPEC rifle is holstered in the PRH, access to the rifle's safety lever is covered by a 30 round magazine making it improbable to accidentally move the lever from safe to fire.

### Training Environment Safety Aid

Your agency's firearms instructors will appreciate the added safety element that the PRH can bring to your range. Your agency's training policies and or rules will dictate how you might use the PRH during patrol rifle training.

- **Cold Range Example:** At the conclusion of a course of fire all patrol rifles are supposed to be made safe (safety, mag., bolt). Patrol rifles at lock back can very easily have the bolt sent home with the slightest bump of the rifle, which can be a safety hazard if a round was left in the chamber, a loaded magazine was left in the rifle, or the rifle's selector lever was left in the firing position.

Using PRH, a locked open bolt cannot be sent home. The PRH keeps the bolt catch lever engaged upon the bolt carrier which prevents the bolt from inadvertently closing even when it's bumped. This feature not only increases safety during cold range operations, but it makes it easy for instructors to look up and down the line and see that magazines are removed, bolts are locked open, chambers are free of a casing/round and muzzles are pointed in a safe direction (down). This efficiency can result in saving

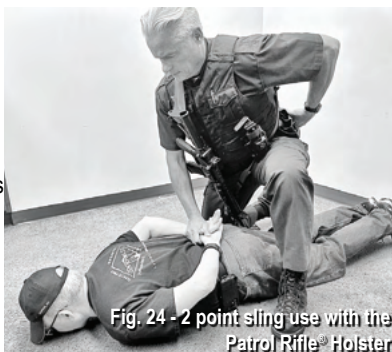


Fig. 24 - 2 point sling use with the Patrol Rifle® Holster

time, allowing for more training to be conducted.

- **Hot Range Example:** At the conclusion of a course of fire the officers place their rifles on safe, the muzzles are depressed, and the students walk off the line with loaded rifles just like they do when patrol rifles are deployed on the street. During a long day of training, attention to muzzle discipline can dwindle and the lasering of others with a hot rifle has been known to happen (both in training and on the street), especially when someone with a rifle slung around their neck begins moving around or bends over.

Using PRH, students won't get as tired or sore from carrying a rifle all day. When the rifle is holstered in the PRH, the possibility of the rifle twisting is reduced, keeping the muzzle pointed at the ground directly in front of the student. This function also keeps the butt of the rifle directly in front of the student's upper chest (line of sight) which also helps keep students aware of the direction that their muzzle is pointing, even when they are moving, kneeling, or bending over. (Fig. 24)

### **PRH Maintenance & Life Span**

PRH is an injection molded product that is made of a durable glass filled polymer. Maintenance requires nothing but wiping it down with a dry cloth. No chemicals of any kind should ever be used to clean the PRH. Daily inspection should occur to ensure all screws are tight and that the unit is in good working order. PRH is a disposable product with a life span that will vary depending on the frequency of use. For example, the PRH should last the average LEO, who only deploys the patrol rifle a couple times a shift, years before replacement becomes necessary. If your PRH wears out, you can inexpensively replace just that part of the MOLLE Patrol Rifle® Integrated Magazine Pouch.

**FAQ videos are available online at: [www.centermassinc.com/molle-prh](http://www.centermassinc.com/molle-prh)**

### **Accessories (Sold Separately)**

1. **PRH M-I.M.P. and a PMAG Combo:** Comes with a 20 rnd. Magpul PMAG in your choice of blank or laser engraved.
2. **Custom engraving for the Patrol Rifle® Holster:** As an option, CMI can custom engrave the PRH with a badge, patch, or other design of your choice. (Page 11-Fig. 16)

### **Miscellaneous Instructions & Warnings on All Products**

- **THE PRH IS NOT A MULTI-LEVEL RETENTION HOLSTER LIKE THOSE USED BY LEOs WITH THEIR DUTY PISTOLS. THE PRH USES GRAVITY, THE WEIGHT OF THE RIFLE, AND FRICTION TO HOLD THE RIFLE.**
- **IMPROPER OR CARELESS USE OF A RIFLE, OR A RIFLE AND THE PRH, MAY RESULT IN SERIOUS INJURY OR DEATH.**
- **IT IS THE USER'S RESPONSIBILITY TO HAVE A THOROUGH KNOWLEDGE OF AND BE PROPERLY TRAINED IN ALL ASPECTS OF RIFLE AND PRH SAFETY AND USE. IF YOU HAVE ANY QUESTIONS, CALL US SO WE CAN HELP AVOID THE POSSIBILITY OF INJURY.**
- Do not place a loaded rifle in the PRH without first testing it for proper fit with the rifle in an unloaded condition.
- Do not carry a rifle with a round in the chamber unless you have received professional

training in the use of the rifle and are willing to assume responsibility and risk (including accidental discharge).

- Always keep sling straps and other equipment out of the trigger guard. Do not allow any objects to enter the trigger guard.
- Do not attempt to cycle the bolt or load the chamber of a rifle while it is holstered in the PRH as this can cause damage to the rifle, PRH, or both and may contribute to an accidental discharge.
- Always steady the holstered rifle with a hand when running or performing vigorous activity.
- Do not use worn, broken, or non-MILSPEC rifles in the PRH. Carrying an ill-fitting or improperly holstered rifle can result in serious injury or death.
- Do not modify or customize the M-I.M.P. or PRH in any way other than specifically recommended by CMI.
- The PRH was designed for use with milspec bolt catches. It may not be compatible with some enlarged / aftermarket bolt catches, ambi bolt catches, or ambi magazine releases.
- Use of a PRH is NOT recommended on I.M.P.'s sold before 2018, or more than 5 years old.
- **DO NOT USE** any type of locking solvent (e.g. Loctite™, SuperGlue™) on any parts.
- The use of any off the shelf parts, solvents, or improper maintenance voids all warranties.
- Magazines should be inserted into the I.M.P. upside down (i.e. bullets at the bottom of the I.M.P. and the magazines floor plate sticking out the top of the I.M.P.).
- Maintenance includes routine inspections for damage, missing or loose parts. It is recommended that users regularly check all parts and screws to ensure that they have not loosened or have become otherwise unserviceable.
- If any part of is damaged, it should be replaced before being used in any way.
- Dirt and other debris should be removed using a nylon brush or soap and water. If water is used, ensure all metal parts are completely dried off. The use of any oils or other other chemicals is not necessary and may be harmful to the durability and longevity.
- The I.M.P. can carry a variety of accessories. Special consideration and common sense must be given to whatever it is that you attach to the I.M.P. as it relates to safety and comfort.
- Additional information is available on our website at [www.centermassinc.com](http://www.centermassinc.com).

## Disclaimer

The purchase and use of the MOLLE-compatible Patrol Rifle® Integrated Magazine Pouch, its accessories, or the Patrol Rifle® Holster is done at the sole and exclusive risk of the user. Center Mass, Inc. takes no responsibility for the misuse of the products for any reason, at any time, or in any environment.

Use of the PRH may mar the surface of the firearm. This is considered normal and Center Mass, Inc. takes no responsibility for surface changes to a firearm used with this product.

## Limited Warranty

- 30 day money back guarantee with any purchase.
- Warranty is one year from the date of purchase and is limited to defects in materials or craftsmanship.
- Normal wear and tear, misuse, or product abuses are not covered.
- Center Mass, Inc. retains sole discretion on all warranty claims.

